



Owners Manual - Xplorer 55

Introduction

Welcome to the Xpedition Archery Team! We appreciate your recent purchase and want to insure you that we are committed to insuring you get the appropriate customer support, service and product quality. Thank you for joining our team.

Bow Purchasing Record

Below is an area for you to record all the information regarding your newly purchased bow. This record is for your own personal reference. Your Xpedition Archery warranty will be valid upon the online registration of your bow by an authorized Xpedition Archery retailer or yourself at www.xpeditionarchery.com within 30 days of the purchase date of the original purchaser.

Original Owner Information

Name: _____

Address: _____

City: _____ State: _____ Zip: _____

Bow Information

Model & Year: _____

Serial Number: _____ (found on riser, opposite side of the model decal)

Purchased At: _____

(Authorized Xpedition Archery Dealer)

Purchase Date: _____

Sales Associate: _____

Purchase Price: _____

Draw Length: _____ Draw Weight: _____ String Length: _____

C. Cable Length: _____ Y. Cable Length: _____

Product Warranty

All Xpedition Archery bows have a limited lifetime warranty to the original owner. Each bow has a serial number found on the riser, opposite side of the model decal, which will be required along with the original owner's full name to obtain this warranty service. If you experience the need for repairs you need to consult your local authorized Xpedition Archery retailer. They can assist you through your repair process and if they deem necessary will contact Xpedition Archery on your behalf. **The authorized Xpedition Archery retailer may charge for service work that accompanies warranty fulfillment.**

Limitation of Liability

Xpedition Archery shall not be liable for any special or consequential damages that result from the performance and use of the products, even if Xpedition Archery has been advised of the possibility of such damages. Applicable law may not allow the limitations of exclusion or liability or incidental or consequential damages, so the above limitations or exclusions may not apply to you. Furthermore the buyer agrees to hold harmless Xpedition Archery and all associated parties from liability for any and all damage to persons or property, for any reason, from the use of this product.

Limited Lifetime Warranty

This Xpedition Archery bow has a warranty against defects in materials and workmanship to the original registered owner when purchased at an authorized Xpedition Archery retailer, for the life of the original owner. This warranty includes all bow parts, except the string, cables, decals, rubber string suppressors, rubber dampeners, cable guard, speed nocks, and cosmetic appearance (chips, dings, scratches) caused by normal use and wear. All warranty claims need to be taken to an authorized Xpedition Archery retailer, if need be the authorized retailer will contact Xpedition Archery on your behalf.

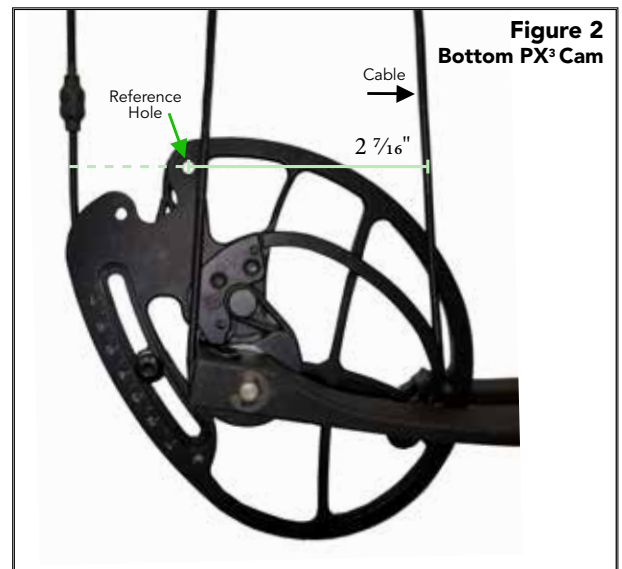
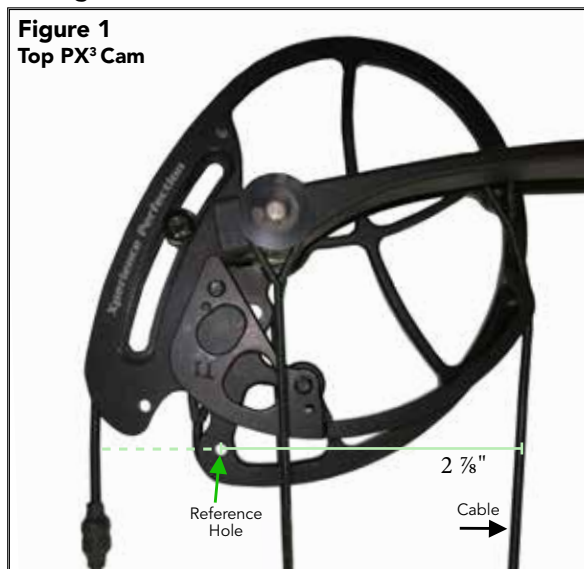
NOTE: Xpedition Archery reserves the right to make substitutions on warranty coverage for any reason, including but not limited to availability of parts and/or decorating finishes.

Adjustments and Tuning

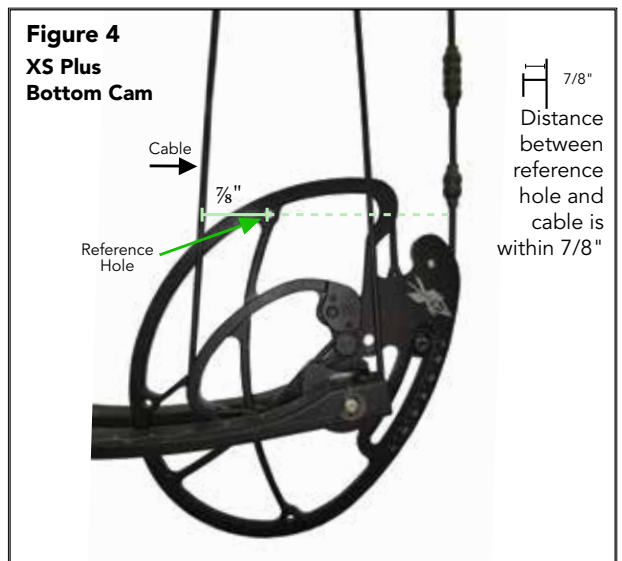
It is important that your new bow is adjusted to fit you properly. Your authorized Xpedition Archery retailer should be able to aide in properly fitting your bow to you to achieve maximum performance. When replacing strings and cables on your bow it is important to closely follow Xpedition's string and cable specifications to ensure ease of tuning and proper function.

Each PX³ cam on your Xplorer SS bow has a tuning reference hole. The cable on the top cam should be within 2 7/8" of the reference hole and on the bottom cam the cable should be within 2 7/16" of the reference hole. There is a tolerance of plus or minus 3 twists in each cable and string to optimize tuning.

See Figure 1 & 2



Each XS Plus cam on your Xplorer SS bow has a tuning reference hole. The cable on the top cam should be within 7/8" of the reference hole and on the bottom cam the cable should be within 7/8" of the reference hole. There is a tolerance of plus or minus 3 twists in each cable and string to optimize tuning. See Figure 3 & 4.



Draw Length Adjustments

Xplorer SS PX³ Cam

The PX³ cams have draw length specific modules to achieve multiple draw lengths. These draw lengths are designated by the numbering system that is charted below. One side of the top module has a "T" engraved into it and the bottom module has a "B", each followed by a corresponding number. The top and bottom modules **must always** have the same corresponding number for each draw length. Prior to changing out draw length modules the draw stop standoffs on both cams should be loosened and moved to the end of each track. This will eliminate any possible contact issue between the head of the draw stop standoff screw and the new location of the module.

Xplorer SS PX ³ Cam Draw Length Mod Chart		
Draw Length	Top Mod	Bottom Mod
25"	T4	B4
25.5"	T3	B3
26"	T2	B2
26.5"	T1	B1

Xplorer SS XS Plus Cam

The XS Plus cams have draw length specific modules to achieve multiple draw lengths. These draw lengths are designated by the numbering system that is charted below. One side of the top module has a "T" engraved into it and the bottom module has a "B", each followed by a corresponding number. The top and bottom modules must always have the same corresponding number for each draw length. Prior to changing out draw length modules the draw stop standoffs on both cams should be loosened and moved to the end of each track. This will eliminate any possible contact issue between the head of the draw stop standoff screw and the new location of the module.

Xplorer SS XS Plus Cam Draw Length Mod Chart		
Draw Length	Top Mod	Bottom Mod
27"	T7	B7
27.5"	T6	B6
28"	T5	B5
28.5"	T4	B4
29"	T3	B3
29.5"	T2	B2
30"	T1	B1

Draw Length Modification Reference Guide

Adjusting Draw Stops

Once the modules are adjusted to desired draw length using the chart above the draw stops must now be set and retightened. There are reference numbers and tick marks along the draw stop track on the bottom cam. Using the chart below set the bottom draw stop by centering the head of the Torx screw with the reference numbers on cam track. Charted is the range for each draw length, slight adjustment either way may be necessary. Once bottom stop is set to the desired feel and let-off, draw bow and set the top stop so it comes in contact with the top limb at the same time the bottom stop comes into contact with the bottom limb.

Xplorer SS PX³ Cam

45# DW**		55# DW**		60# DW**		65# DW**		70# DW**	
Draw Length	Draw Stop*	Draw Length	Draw Stop*	Draw Length	Draw Stop*	Draw Length	Draw Stop*	Draw Length	Draw Stop*
25"	5 - 5 1/2	25"	4 3/4 - 5 1/4	25"	4 3/4 - 5 1/4	25"	4 3/4 - 5 1/4	25"	4 3/4 - 5 1/4
25.5"	4 1/4 - 4 3/4	25.5"	4 - 4 1/2	25.5"	4 - 4 1/2	25.5"	4 - 4 1/2	25.5"	4 - 4 1/2
26"	3 1/2 - 4	26"	3 1/4 - 3 3/4	26"	3 1/4 - 3 3/4	26"	3 - 3 1/2	26"	3 - 3 1/2
26.5"	2 3/4 - 3 1/4	26.5"	2 1/2 - 3	26.5"	2 1/2 - 3	26.5"	2 1/2 - 3	26.5"	2 1/2 - 3

*Bottom cam draw stop location is referenced by centering the head of the Torx screw of stop with the draw stop reference numbers indicated on the cam. This is the starting point for each draw length, slight adjustment either way or modifying string and cable lengths by twisting/untwisting may be necessary. Once bottom cam draw stop is set, draw bow and set the top stop so it comes in contact with the top limb at the same time the bottom stop comes into contact with the bottom limb.

This refers to the bows **peak draw weight.

Xplorer SS XS Plus Cam

45# DW**		55# DW**		60# DW**		65# DW**		70# DW**	
Draw Length	Draw Stop*	Draw Length	Draw Stop*	Draw Length	Draw Stop*	Draw Length	Draw Stop*	Draw Length	Draw Stop*
27"	5 1/4 - 5 3/4	27"	5 1/2 - 6	27"	5 1/4 - 5 3/4	27"	5 1/4 - 5 3/4	27"	5 1/4 - 5 3/4
27.5"	4 3/4 - 5 1/4	27.5"	4 3/4 - 5 1/4	27.5"	4 1/2 - 5	27.5"	5 - 5 1/2	27.5"	4 3/4 - 5 1/4
28"	4 - 4 1/2	28"	4 - 4 1/2	28"	4 - 4 1/2	28"	3 3/4 - 4 1/4	28"	4 - 4 1/2
28.5"	3 1/2 - 4	28.5"	3 1/2 - 4	28.5"	3 1/2 - 4	28.5"	3 1/4 - 3 3/4	28.5"	3 1/2 - 4
29"	3 - 3 1/2	29"	3 - 3 1/2	29"	3 - 3 1/2	29"	2 3/4 - 3 1/4	29"	3 - 3 1/2
29.5"	2 1/2 - 3	29.5"	2 1/2 - 3	29.5"	2 1/2 - 3	29.5"	2 1/2 - 3	29.5"	2 1/2 - 3
30"	2 - 2 1/2	30"	2 - 2 1/2	30"	2 - 2 1/2	30"	2 - 2 1/2	30"	2 - 2 1/2

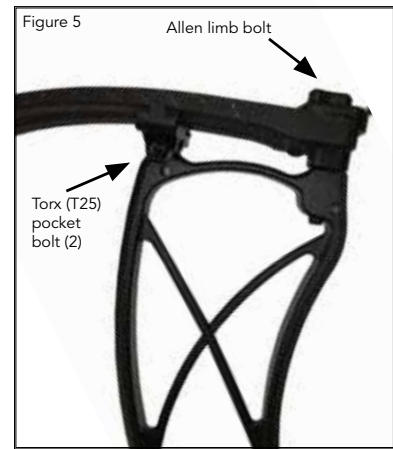
*Bottom cam draw stop location is referenced by centering the head of the Torx screw of stop with the draw stop reference numbers indicated on the cam. This is the starting point for each draw length, slight adjustment either way or modifying string and cable lengths by twisting/untwisting may be necessary. Once bottom cam draw stop is set, draw bow and set the top stop so it comes in contact with the top limb at the same time the bottom stop comes into contact with the bottom limb.

**This refers to the bows peak draw weight.

Draw Weight Adjustments

Changing Draw Weight

On the top side of one of the bottom limbs is a sticker that has the string and cable lengths as well as the bow's capable peak draw weight. The peak weight is achieved by the limb bolts being completely tightened down. The peak draw weight can be turned down 8 pounds with each bow model. Using a Torx wrench loosen the two pocket bolts by one-half turn on both top and bottom limb pockets. Then with an Allen wrench loosen the top and bottom limb bolts. One full turn reduces weight by approximately 2 pounds. **Never back off more the 4 turns.** Make sure the adjustment to the top limb bolt and bottom limb bolt is identical. When desired draw weight is achieved, tighten up the pocket bolts on the top and bottom pockets. See Figure 5.



Safety & Maintenance

- All models of Xpedition Archery bows should only be put in bow presses that compress by limb tip contact only.
- The strings have factory installed speed nocks. Changing or removing these will reduce the performance of your bow.
- Avoid storing your bow in an environment where it is subject to high heat and always make sure the bow is dry when storing.
- Never dry fire your bow. This will cause damage to your bow and make it unsafe to shoot.
- Before shooting, inspect arrows to insure there are no defects or damages such as cracks in the shaft or nock.
- Periodically apply a light coating of bowstring wax to the string and cables.
- Never attempt to shoot your bow without a nock set.
- Nock or D-loop should be set so that arrow sets at a 90 degree angle with the string.
- Never reduced the draw weight of the bow more than 8 pounds below the specified peak weight.

“Xperience Perfection™”

2008 E. Hwy. 50 • Yankton, SD 57078 • 605-260-0159 • Fax 605-665-1479

www.XpeditionArchery.com